

Rain shower with wall fixing 220 mm - Chrome

IMO

28 649 670



- 450mm projection
- rain shower Ø 220 mm
- PURE RAIN, max. flow rate 14 l/min (at 3 bar)
- rosette 65 x 65 mm
- 1/2" connection
- with anti-scale system
- quick clearing
- WRAS
- This product can help a building meet the requirements of Green Building Rating Systems, e.g. LEED®, BREEAM®, DGNB

Fits: IMO, CYO

	Chrome	28 649 670-00 0050
	Brushed Platinum	28 649 670-06 0050
	Platinum	28 649 670-08 0050
	Dark Chrome	28 649 670-19 0050
	Brushed Light Gold	28 649 670-27 0050
	Brushed Light Gold	28 649 670-27
	Brushed Durabrass (23kt Gold)	28 649 670-28 0050
	Matte Black	28 649 670-33 0050
	Brushed Champagne (22kt Gold)	28 649 670-46 0050
	Champagne (22kt Gold)	28 649 670-47 0050
	Brushed Chrome	28 649 670-93 0050
	Brushed Dark Platinum	28 649 670-99 0050

Recommended miscellaneous

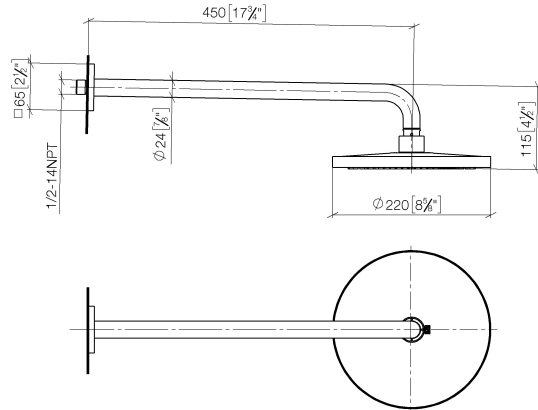


- Concealed wall elbow -** 35 085 970 90
- max. recess depth 163 mm
 - min. recess depth 90 mm

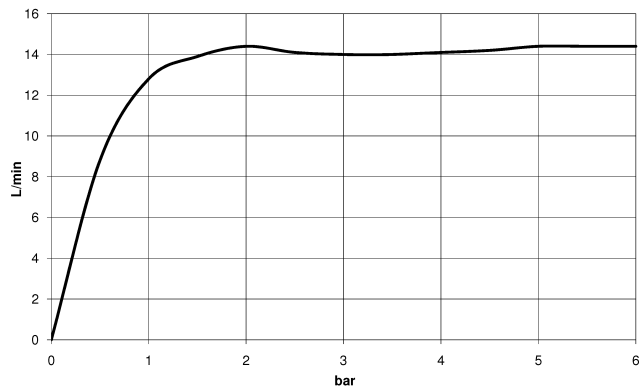
Rain shower with wall fixing 220 mm - Chrome

28 649 670

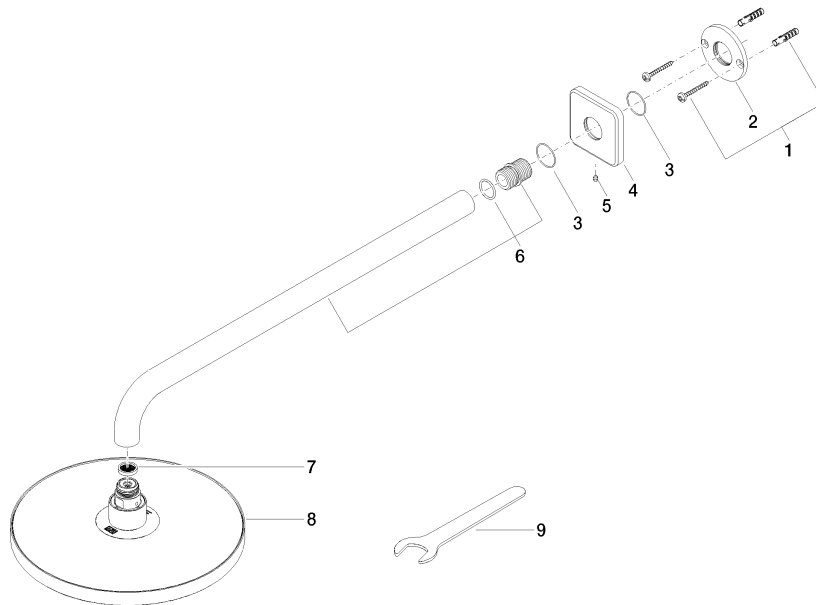
mm [inches]



Flow rate chart



28 649 670



Spare parts list

No.	Item Number	Name	Quantity used	Delivery time
1	04 30 31 032 00 90	fixing set	1	2
2	09 17 20 120 90	holder	1	2
3	09 14 10 150 90	seal	2	2
4	09 27 67 015-00	rosette	1	10
5	90 31 11 038 00 90	pin	1	2
6	90 11 03 070 00-00	pipe	1	10
7	09 23 01 075 90	insert	1	2
8	90 12 05 092 00-00	90120509200-00	1	-
Spare part can no longer be ordered, please order the replacement item				
9	90 30 09 069 00 90	key	1	2